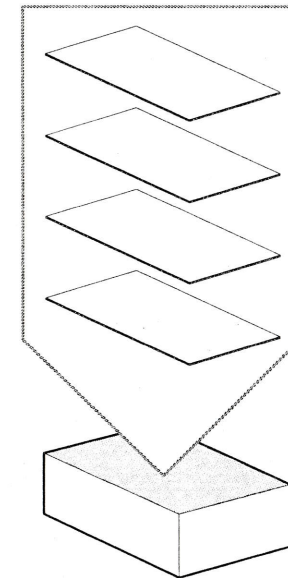
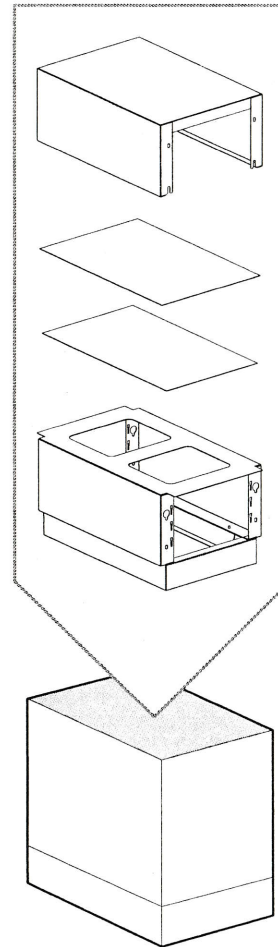
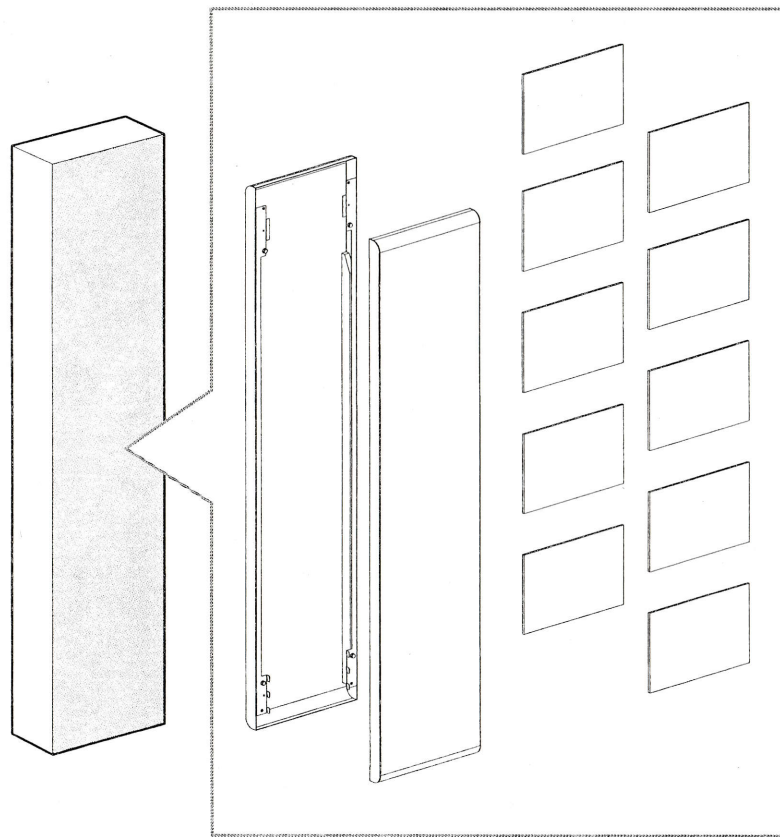


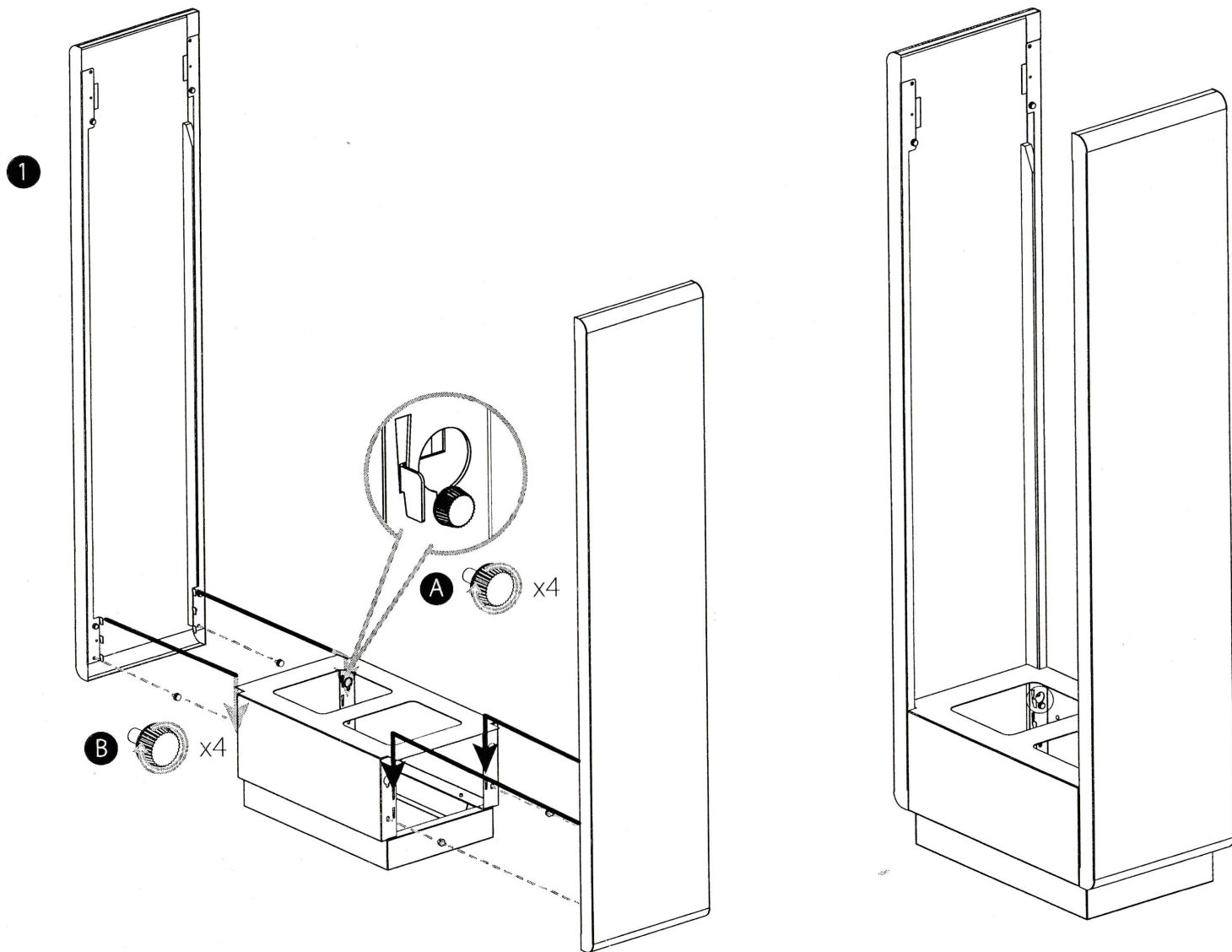
Packaging Breakdown



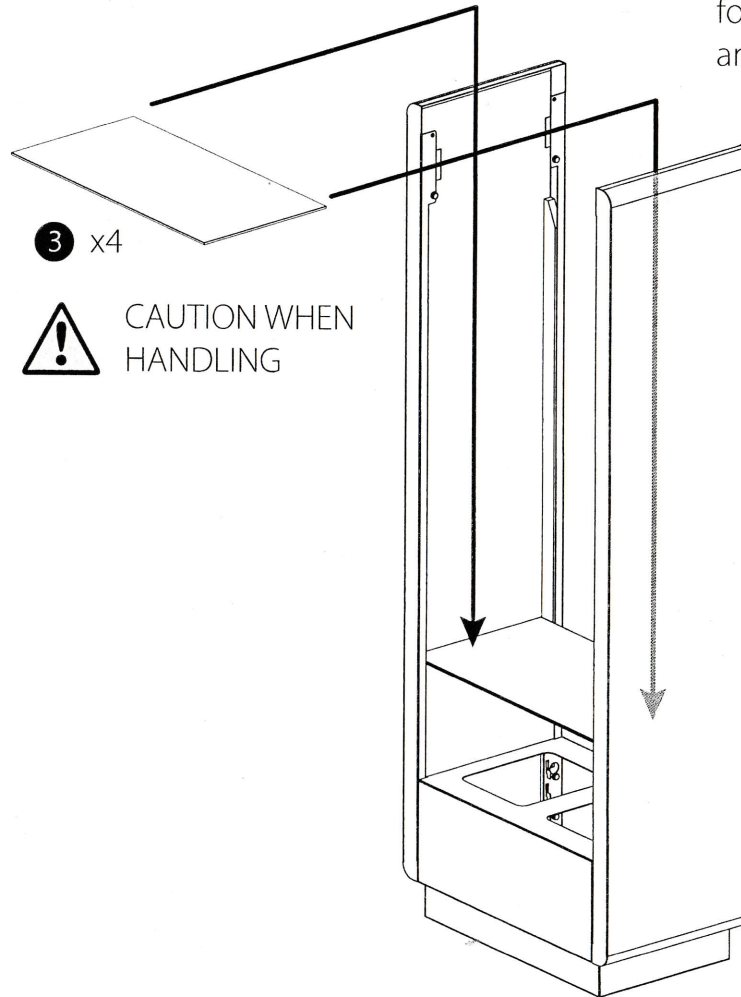
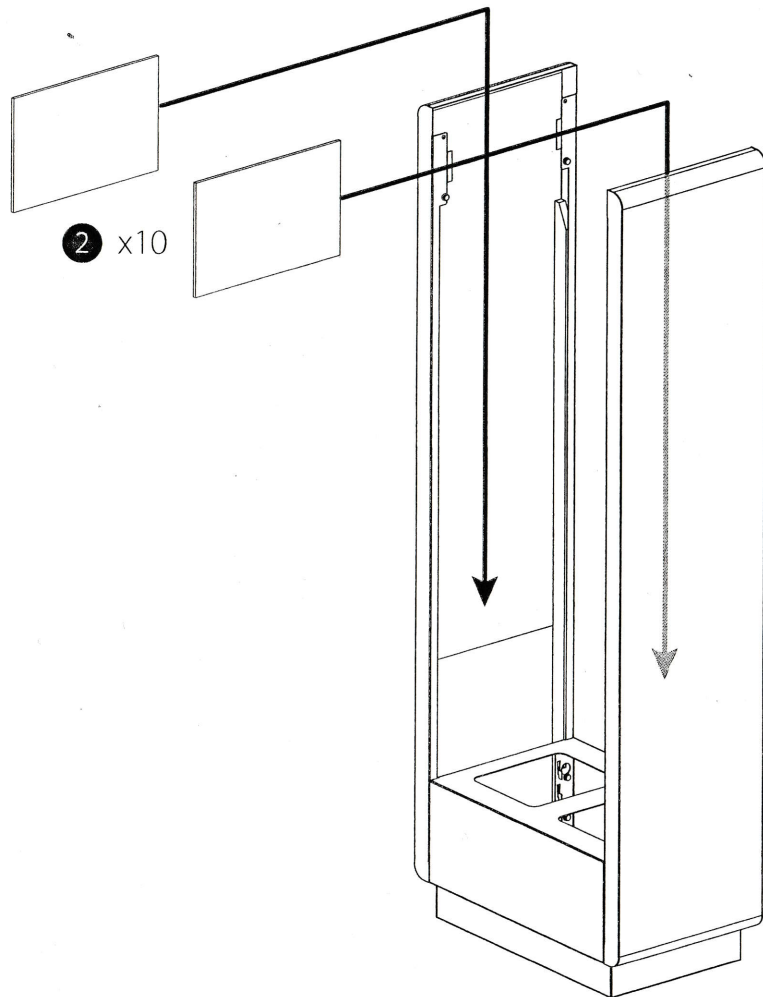
label.m

PROFESSIONAL HAIRCARE

Side Uprights



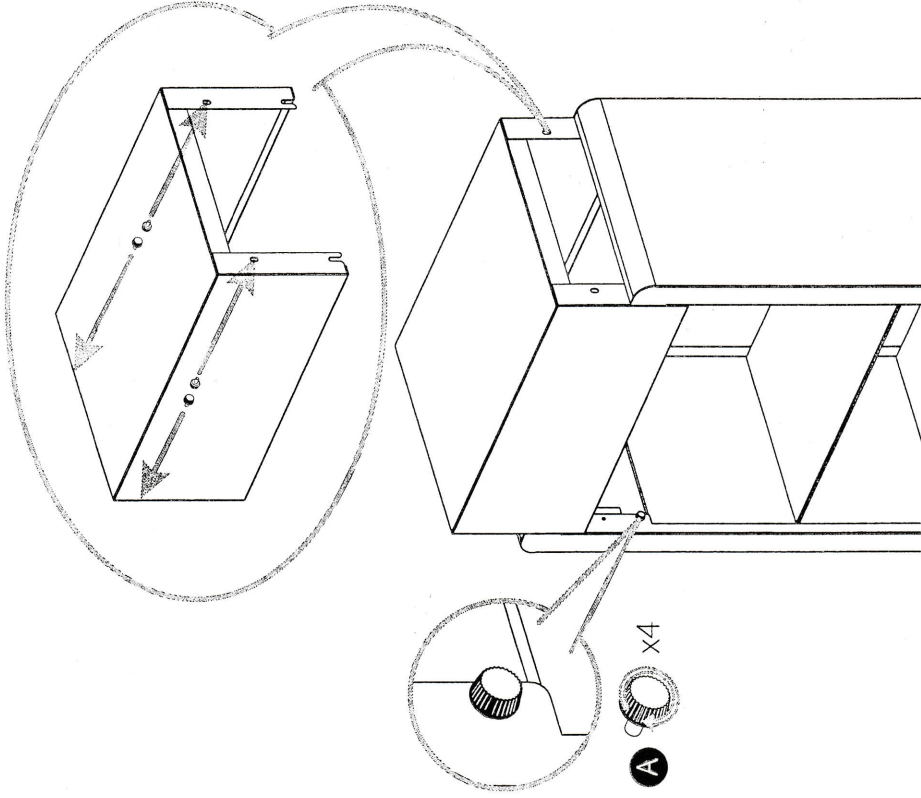
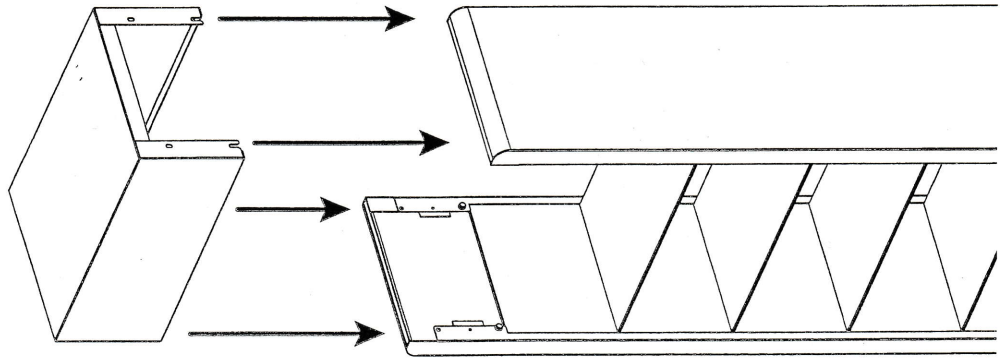
Side Clad Panels & Glass Shelves



Repeat steps 2 - 3
for all side clad panels
and glass shelves

Header

4



B

x4

A

x4

label.m
PROFESSIONAL HAIRCARE

Base & Header Clad

