

© 2015 Wahl Clipper Corporation
91262-002 Printed in Hungary

1 Operating instructions

IMPORTANT SAFETY WARNINGS
When using an electrical appliance, basic precautions should always be followed, including the points listed below. Read all instructions and safetyguards before using.
DANGER
• Do not touch the risk of injury or death by electric shock.
1. Do not reach for an appliance that has fallen into water. Unplug immediately from the outlet.
2. Do not use while bathing or in a shower.
3. Do not place or store appliance where it can fall or be pulled into a tub or sink. Do not place in or drop into water or other liquid.
4. Always unplug the appliance from the electrical outlet immediately after using.
5. Always unplug the appliance before cleaning.

WARNING
• To reduce the risk of burns, fire, electric shock or injury to persons:
• This appliance can be used by children aged from 8 years and above and persons with reduced physical, sensory or mental capabilities or lack of experience and knowledge if they have been given supervision or instruction concerning use of the appliance in a safe way and are alerted to the hazards involved. Children shall not play with the appliance. Cleaning and user maintenance shall not be made by children without supervision.
• Warning: Keep the Product Dry. It is essential to PREVENT electrical equipment from coming into contact with water or other liquids.
• Use this appliance in accordance with use as described in this manual. Do not use attachments not recommended by the manufacturer.
• If the power cord is damaged, it must be replaced by the manufacturer or authorized agent or similarly qualified person in order to avoid the risk of electric shock.
• Do not use cord away from heated surfaces.
• Do not use outdoors or operate where aerosol (spray) products are being used or where oxygen is being administered.
• Do not use this appliance with a damaged or broken cord, nor with those missing from the blades, as any injury may occur.

UK appliance: If a 13 amp (BS 1363) plug is used, a 3 amp fuse must be fitted, or if any other plug type is used, a 5 amp fuse must be fitted either in the plug or adapter at the distribution board. Replacement fuses should be ASTA approved to BS 1362. Fuse removal must be fitted. When changing the fuse, the plug must not be used until a replacement is obtained. Information for obtaining the correct fuse carrier is marked on the carrier itself and in the bottom of the fuse cavity on the plug. These may be obtained from Wahl UK. If the supply cord is damaged, it must be replaced by the manufacturer or their service agent or a similarly qualified person in order to avoid a hazard.

SAVE THESE INSTRUCTIONS

This clipper has been designed for household use.

- A - Bottom blade
- B - Blade side (on Multi-cut (MC) clipper only)
- C - Taper lever (on Multi-cut (MC) clipper only)
- D - Switch
- E - Power screw
- F - Top blade

CLIPPER MAINTENANCE

Clippers should be aligned before leaving our factory; however, it is possible for blades to get bent out of alignment. Blades must be realigned if they have been removed for cleaning or replacement. To determine if realignment is necessary, compare your clipper blades with diagram G.

- 1 If your clipper has a taper lever, position the taper lever in the close cut position. (H)
- 2 End of left-hand tooth should be approximately 1/32" (64 mm) from bottom blade. This is important so that the clipper does not cut too close, moving closer to touch the skin.
- 3 Extreme left-hand tooth of top blade must be covering or to the left of the first small tooth of bottom blade.
- 4 Extreme right-hand tooth of top blade must be touching the big tooth on the bottom blade.

If blade alignment is incorrect, add a few drops of Wahl Clipper Oil to the blades. Turn clipper "On" for a few moments. Turn "Off" and unplug. Loosen screws slightly and adjust (steps 2-4 listed above). Tighten screws after blades are aligned. Other than blades this clipper has no user serviceable parts. (Diagram I)

OIL

The blades of your new clipper should be oiled every few haircuts. Simply place a few drops of Wahl Clipper Oil on the teeth of the blades. Use only the Wahl Clipper Oil included in the pack. Due to the high speed of your Wahl clipper, the correct type of oil must be used. Do not use hair oil, grease or any oil mixed with kerosene or any solvent, as the solvent will evaporate and leave the thick oil, slowing down the blades. Wahl Clipper Oil is a very thin, natural oil which will not evaporate and will not slow down the blades.

POWER SCREW

If your clipper has a power screw, it has been adjusted for peak efficiency before leaving the factory. However, if voltage in your home is low, you may need to readjust it.

To adjust power, use the plastic brush, a screwdriver or a thin coin to turn power screw in a clockwise direction until you feel some resistance. Turn the power screw in a counter-clockwise, until you feel some resistance. Turn slowly, slowly turn power screw out (counterclockwise), until you feel some resistance. This is the maximum power setting. (K)

CORD

The cord should not be used to pull the clipper. Since freedom of movement needs to be maintained, care should be used to keep the cord unknisted and unobstructed. When stored, the cord should be coiled and the unit placed in a plastic bag or container (if provided).

CLIPPER WITH A POLARIZED PLUG

To reduce the risk of electric shock, this appliance has a polarized plug (one blade is wider than the other). This plug fits in a polarized outlet only one way. In the event the plug does not fit fully in the outlet, reverse the plug. In the event it still does not fit, contact a qualified electrician to install the proper receptacle or rewire the outlet to a 3-prong outlet.

TAPER LEVER

If your clipper has an adjustable taper lever, it is conveniently located near your thumb (if you're right-handed), so it can easily be adjusted while the clipper is in your hand.

The taper lever adds versatility to your clipper by allowing you to gradually change the closeness of your cut without a guide comb. When the lever is in the upmost position, the blades will give the closest cut and leave the hair longest. (Diagram H)

When the lever is in the lever down position, the blades will give the longest cut. In its lowest position, the taper lever will leave the hair approximately the same length as the 1/8" guide comb. (Diagram H2)

The taper lever will also extend the use of your blades since a different cutting edge is used in each setting. In addition, it will extend the life of the blades, as it will help you remove hair that has become wedged between the two blades without removing the blades. While the clipper is running, rapidly move the lever from "close cut" to "longer cut" a couple of times. Doing this each time you've finished using your clipper will help keep the blades clean of cut hair. If your clipper stops cutting and this does not help, your cutting blades may be dull. Either replace them or return them to Wahl for repair.

WAHL'S GUIDE TO FOOLPROOF HOME HAIRCUTTING Before you cut your hair

- 1 Your clipper should be clean, oiled and in perfect working condition.
- 2 If your kit includes a plastic cap, place it around the neck, tying the strings and overlapping the cap portion to prevent hair from falling down inside the collar. If no cap is provided, a towel will do nicely.
- 3 Position the person whose hair is to be cut on a stool or chair so that the top of their head is about even with your eyes. If you are cutting the hair, hold the clipper in a relaxed, comfortable way. In its lowest position, the taper lever will leave the hair approximately the same length as the 1/8" guide comb. (Diagram H2)

NOTE: To attach guide combs, hold comb with the teeth up. Snap guide comb attachment firmly to the bottom of the clipper blade. (L)

Depending on the kit you purchased your kit may include one or all of the following:
Adjustable Combs - allowing multiple cutting lengths in the convenience of a single comb.
Individual Black Guide Combs - providing predetermined lengths indicated on each guide comb.
Individual Color Guide Combs - providing predetermined lengths indicated on each guide comb. Combs are also color coded for quick cutting length reference.

Using adjustable guide combs

The small adjustable guide comb has five settings from 1/8" to 5/8" (3mm to 16mm) in 1/8" (3mm) increments. (M)
The large adjustable guide comb has five settings from 3/4" to 1-1/4" (19mm to 32mm) in 1/8" (3mm) increments.

Using your thumb, you can change the length of the cut by simply sliding the adjustable lever to the next position. Both adjustable guide combs have positive click stops and indicators that show position number and cutting length in millimeters for quick and easy setting identification.

The large adjustable guide comb can be used from the ear to the crown of the head. (O1)
The small adjustable guide comb can be used from the nape of the neck to the ear area. (O2)

Using individual (black or colored) guide combs:

Some kits do not include all Wahl guide combs. However, any of these combs (or additional accessories not listed above) may be available from your dealer or can be ordered directly from Wahl.

INDIVIDUAL GUIDE COMB LISTING:

- | | |
|--------------------------------|-------------------------------|
| • 3mm - Black/Red | • 6mm - Black/Purple |
| • 10mm - Black/Dark Blue | • 13mm - Black/Orange/Pink |
| • 16mm - Black/Yellow | • 19mm - Black/Lavender |
| • 22mm - Black/White | • 25mm - Black/Blue |
| • 31mm - Black/White | • 38mm - Black only |
| • Right Ear Taper - Black only | • Left Ear Taper - Black only |

CUTTING HAIR

MEDIUM TO LONG CUTS: (P)

The first time you cut the hair, cut only a small amount until you become accustomed to how long each guide comb leaves the hair. Always start by placing the largest guide comb on the clipper, then use shorter combs (or settings - if using adjustable guide combs) if a shorter length is desired.

Remember, between professional haircuts, the hair grows evenly all over the head and a light trimming at the top and sides may be all that is needed to bring back the desired length. In its lowest position, the taper lever will leave the hair approximately the same length as the 1/8" guide comb. (Diagram H2)

1 Start by combing the hair so that its natural direction. Do not force it through at a faster rate.
2 Place the largest guide comb onto your clipper and start by trimming the sides from the bottom upwards. Hold the clipper with both hands, pointing up but flat against the head. Slowly lift the comb up and outward through the hair, cutting only a small amount at a time.
3 Repeat around sides and back of head.

If you desire shorter hair, either change to a shorter guide comb (or setting - if using adjustable guide combs) or adjust the taper lever to a shorter length. The clipper in a relaxed, comfortable way, with the taper lever in its lowest position. This entire procedure requires practice, and it is always better to leave too much hair than the first few haircuts.

For the top of the head, you may use a fairly short cut if you use the 1" guide comb (if your kit includes the 1-1/4" or 1-1/2" guide comb, you may use this for a slightly longer hair). With the teeth flat against the head, slowly start trimming from the top of the back of the head, as it leaves the hair longer the first few haircuts.

FOR LONGER HAIR ON TOP:

Do not use the guide comb on top of the head can be achieved. Use either a barber comb or a regular comb and lift the hair on the top, cutting over the comb, or grasp the hair between the fingers and cut to desired length. Continue this procedure from the front to the back of the head, gradually cutting the hair shorter by reducing the space between the teeth of the comb. Comb frequently to remove trimmed hair and check for uneven strands.

TAPERING AROUND EARS:

USING LEFT AND RIGHT EAR GUIDE COMBS
The Left and Right Ear Guide Combs have a built in taper ranging from 1/8" to 1/2". By following the outline of the ear with the appropriate comb you achieve a gradual taper and blending without having to use multiple combs.

TO TAPER THE AREA BORDERING THE LEFT EAR:
Attach the Right Ear Guide Comb to your clipper. Stand facing the right ear and repeat the process described above for the left ear.
Finish by outlining the area around the ear as described in the following section.

OUTLINING: (Q)

No attachments are needed. (On a multi-cut clipper, push the taper lever up to the "close-cut" position.) Comb hair into desired style. Starting between the ears and the sideburns, as shown at left, hold clipper with corner edge of blade against the head, position the guide comb just back of the ear, around and behind the ears. For defining sideburns and the back of the neck, hold the clipper upside down, against the skin at the desired length and move down. Comb hair and check that sides are even. Check for uneven spots throughout the hair.

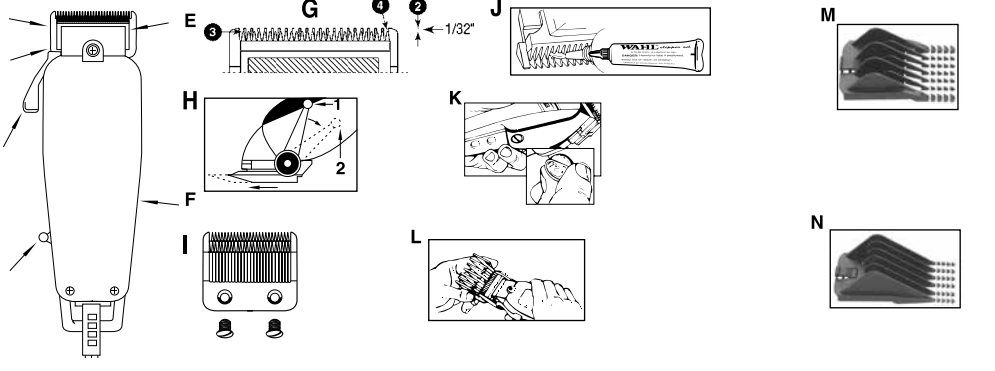
CREW CUTS AND SHORT CUTS: (R)

Starting with the longest guide comb, cut from the back of the neck to the crown. Hold the guide comb flat against the head and slowly move the clipper through the hair, as shown.
Use the same procedure from the lower side to the upper side of the head, as shown. Then cut the hair against the direction in which it grows, from the front to the crown, and even up the cut with the sides.
To give a "flat-top" look, the hair on top of the head must be cut over the top of a flat comb, rather than using the guide comb.

Use close-cutting guide combs to "taper" the hair down to the neckline, as desired. Comb hair and check for uneven spots. Outline sideburns and necklines as previously described.

If a short, tapered cut on the sides and back is desired, follow diagram S.
The five basic areas illustrated on the Wahl haircutting guide are your "road map" to easy, do-it-yourself haircutting. For tips on the latest trends and fashions in haircutting, visit us at www.wahl.com.

This marking indicates that the product should not be disposed with other household wastes through the EU. To prevent possible harm to the environment or human health from uncontrolled waste disposal, recycle it responsibly to promote the sustainable reuse of materials. To return your used product, please use the return and collection systems or contact the retailer where the product was purchased. They can take this product for environmental safe recycling.



2 Gebrauchsanweisung

WICHTIGE SICHERHEITSHINWEISE
Bei Gebrauch elektrischer Geräte sind immer grundlegende Vorsichtsmaßnahmen beachtet werden, insbesondere die in Folgenden aufgeführten. Lesen Sie vor Gebrauch alle Anweisungen und Sicherheitshinweise sorgfältig durch.
GEFÄHR
• To reduce the risk of electric shock, this appliance has a polarized plug (one blade is wider than the other). This plug fits in a polarized outlet only one way. In the event the plug does not fit fully in the outlet, reverse the plug. In the event it still does not fit, contact a qualified electrician to install the proper receptacle or rewire the outlet to a 3-prong outlet.
1. Greifen Sie nicht nach einem ins Wasser getauchten Gerät. Ziehen Sie sofort den Stecker aus der Steckdose.
2. Verwenden Sie das Gerät nicht in der Badkabine oder unter der Dusche.
3. Platzieren oder bewahren Sie das Gerät nicht in einem Ort, von dem es in ein Waschbecken oder eine Wanne fallen oder gezogen werden könnte. Tauchen Sie das Gerät nicht in Wasser oder andere Flüssigkeiten und lassen Sie es nicht dort hinfallen.
4. Ziehen Sie, außer wenn Sie das Gerät aufladen, nach jedem Gebrauch den Stecker des Gerätes aus der Steckdose.
5. Ziehen Sie vor dem Pluggen des Gerätes immer den Stecker aus der Steckdose.

WARNING

• To reduce the risk of burns, fire, electric shock or injury to persons:
• This appliance can be used by children aged from 8 years and above and persons with reduced physical, sensory or mental capabilities or lack of experience and knowledge if they have been given supervision or instruction concerning use of the appliance in a safe way and are alerted to the hazards involved. Children shall not play with the appliance. Cleaning and user maintenance shall not be made by children without supervision.
• Warning: Keep the Product Dry. It is essential to PREVENT electrical equipment from coming into contact with water or other liquids.
• Use this appliance in accordance with use as described in this manual. Do not use attachments not recommended by the manufacturer.
• If the power cord is damaged, it must be replaced by the manufacturer or authorized agent or similarly qualified person in order to avoid the risk of electric shock.
• Do not use cord away from heated surfaces.
• Do not use outdoors or operate where aerosol (spray) products are being used or where oxygen is being administered.
• Do not use this appliance with a damaged or broken cord, nor with those missing from the blades, as any injury may occur.

UK appliance: If a 13 amp (BS 1363) plug is used, a 3 amp fuse must be fitted, or if any other plug type is used, a 5 amp fuse must be fitted either in the plug or adapter at the distribution board. Replacement fuses should be ASTA approved to BS 1362. Fuse removal must be fitted. When changing the fuse, the plug must not be used until a replacement is obtained. Information for obtaining the correct fuse carrier is marked on the carrier itself and in the bottom of the fuse cavity on the plug. These may be obtained from Wahl UK. If the supply cord is damaged, it must be replaced by the manufacturer or their service agent or a similarly qualified person in order to avoid a hazard.

HEBEN SIE DIESE ANLEITUNG SORGFÄLTIG AUF

Diese Haarschneidemaschine ist für den privaten Gebrauch bestimmt.

- A - Untere Klinge
- B - Klingeneinrichtung (nur bei Multi-cut-Haarschneidemaschinen (MC))
- C - Schnittlängenehler (nur bei Multi-cut-Haarschneidemaschinen (MC))
- D - Schalter
- E - Obere Klinge
- F - Schraube für Leistungswahl

WARTUNG DER HAARSCHNEIDEMASCHINE

Klingen der Haarschneidemaschine müssen wasserdicht und ausgerichtet werden. Dennoch kann es vorkommen, dass die Ausrichtung der Klingen nicht mehr stimmt und eine Neuausrichtung erforderlich wird. Klingen werden neu ausgerichtet werden, wenn sie aus Reinigungs- oder Austauschschritten entnommen werden.

Ein Instruktor, der über die Anweisung der Klingen Ihrer Haarschneidemaschine mit dieser Zeichnung (G) eine Skizze der Klingen erstellt.

1 Wenn die Haarschneidemaschine mit einem Schnittlängenehler ausgerüstet ist, stellen Sie den Schnittlängenehler auf die Stufe mit der kürzesten Schrittlänge ein. (H)

2 Das Ende der Zähne der oberen Klinge sollte 0,64 mm (1/32") hinter der unteren Klinge zurückstecken. Dies ist wichtig, damit die Haarschneidemaschine nicht zu kurz schneidet und damit der Schneidesitz bei der Bewegung nicht die Haut berührt.

3 Der äußerste linke Zahn der oberen Klinge muss den ersten kleinen Zahn der unteren Klinge abdecken oder sich links neben diesem befinden.

4 Der äußerste rechte Zahn der oberen Klinge muss den großen Zahn der unteren Klinge berühren.

Wenn die Klingen falsch ausgerichtet sind, gehen Sie einige Tropfen Wahl Clipper Öl auf die Klingen, stellen Sie das Gerät in der richtigen Position ein und lassen Sie es für ein paar Minuten stehen. Wenn die Klingen ausgerichtet sind, haben die Haarschneidemaschine abet, müssen Sie den richtigen Öl geben Sie auf die Klingen.

Wenn die Klingen ausgerichtet sind, haben die Haarschneidemaschine abet, müssen Sie den richtigen Öl geben Sie auf die Klingen. Wenn die Klingen ausgerichtet sind, haben die Haarschneidemaschine abet, müssen Sie den richtigen Öl geben Sie auf die Klingen.

Wenn die Klingen ausgerichtet sind, haben die Haarschneidemaschine abet, müssen Sie den richtigen Öl geben Sie auf die Klingen. Wenn die Klingen ausgerichtet sind, haben die Haarschneidemaschine abet, müssen Sie den richtigen Öl geben Sie auf die Klingen.

Wenn die Klingen ausgerichtet sind, haben die Haarschneidemaschine abet, müssen Sie den richtigen Öl geben Sie auf die Klingen. Wenn die Klingen ausgerichtet sind, haben die Haarschneidemaschine abet, müssen Sie den richtigen Öl geben Sie auf die Klingen.

Wenn die Klingen ausgerichtet sind, haben die Haarschneidemaschine abet, müssen Sie den richtigen Öl geben Sie auf die Klingen. Wenn die Klingen ausgerichtet sind, haben die Haarschneidemaschine abet, müssen Sie den richtigen Öl geben Sie auf die Klingen.

Wenn die Klingen ausgerichtet sind, haben die Haarschneidemaschine abet, müssen Sie den richtigen Öl geben Sie auf die Klingen. Wenn die Klingen ausgerichtet sind, haben die Haarschneidemaschine abet, müssen Sie den richtigen Öl geben Sie auf die Klingen.

Wenn die Klingen ausgerichtet sind, haben die Haarschneidemaschine abet, müssen Sie den richtigen Öl geben Sie auf die Klingen. Wenn die Klingen ausgerichtet sind, haben die Haarschneidemaschine abet, müssen Sie den richtigen Öl geben Sie auf die Klingen.

Wenn die Klingen ausgerichtet sind, haben die Haarschneidemaschine abet, müssen Sie den richtigen Öl geben Sie auf die Klingen. Wenn die Klingen ausgerichtet sind, haben die Haarschneidemaschine abet, müssen Sie den richtigen Öl geben Sie auf die Klingen.

Wenn die Klingen ausgerichtet sind, haben die Haarschneidemaschine abet, müssen Sie den richtigen Öl geben Sie auf die Klingen. Wenn die Klingen ausgerichtet sind, haben die Haarschneidemaschine abet, müssen Sie den richtigen Öl geben Sie auf die Klingen.

Wenn die Klingen ausgerichtet sind, haben die Haarschneidemaschine abet, müssen Sie den richtigen Öl geben Sie auf die Klingen. Wenn die Klingen ausgerichtet sind, haben die Haarschneidemaschine abet, müssen Sie den richtigen Öl geben Sie auf die Klingen.

Wenn die Klingen ausgerichtet sind, haben die Haarschneidemaschine abet, müssen Sie den richtigen Öl geben Sie auf die Klingen. Wenn die Klingen ausgerichtet sind, haben die Haarschneidemaschine abet, müssen Sie den richtigen Öl geben Sie auf die Klingen.

Wenn die Klingen ausgerichtet sind, haben die Haarschneidemaschine abet, müssen Sie den richtigen Öl geben Sie auf die Klingen. Wenn die Klingen ausgerichtet sind, haben die Haarschneidemaschine abet, müssen Sie den richtigen Öl geben Sie auf die Klingen.

Wenn die Klingen ausgerichtet sind, haben die Haarschneidemaschine abet, müssen Sie den richtigen Öl geben Sie auf die Klingen. Wenn die Klingen ausgerichtet sind, haben die Haarschneidemaschine abet, müssen Sie den richtigen Öl geben Sie auf die Klingen.

Wenn die Klingen ausgerichtet sind, haben die Haarschneidemaschine abet, müssen Sie den richtigen Öl geben Sie auf die Klingen. Wenn die Klingen ausgerichtet sind, haben die Haarschneidemaschine abet, müssen Sie den richtigen Öl geben Sie auf die Klingen.

Wenn die Klingen ausgerichtet sind, haben die Haarschneidemaschine abet, müssen Sie den richtigen Öl geben Sie auf die Klingen. Wenn die Klingen ausgerichtet sind, haben die Haarschneidemaschine abet, müssen Sie den richtigen Öl geben Sie auf die Klingen.

Wenn die Klingen ausgerichtet sind, haben die Haarschneidemaschine abet, müssen Sie den richtigen Öl geben Sie auf die Klingen. Wenn die Klingen ausgerichtet sind, haben die Haarschneidemaschine abet, müssen Sie den richtigen Öl geben Sie auf die Klingen.

Wenn die Klingen ausgerichtet sind, haben die Haarschneidemaschine abet, müssen Sie den richtigen Öl geben Sie auf die Klingen. Wenn die Klingen ausgerichtet sind, haben die Haarschneidemaschine abet, müssen Sie den richtigen Öl geben Sie auf die Klingen.

Wenn die Klingen ausgerichtet sind, haben die Haarschneidemaschine abet, müssen Sie den richtigen Öl geben Sie auf die Klingen. Wenn die Klingen ausgerichtet sind, haben die Haarschneidemaschine abet, müssen Sie den richtigen Öl geben Sie auf die Klingen.

Wenn die Klingen ausgerichtet sind, haben die Haarschneidemaschine abet, müssen Sie den richtigen Öl geben Sie auf die Klingen. Wenn die Klingen ausgerichtet sind, haben die Haarschneidemaschine abet, müssen Sie den richtigen Öl geben Sie auf die Klingen.

Wenn die Klingen ausgerichtet sind, haben die Haarschneidemaschine abet, müssen Sie den richtigen Öl geben Sie auf die Klingen. Wenn die Klingen ausgerichtet sind, haben die Haarschneidemaschine abet, müssen Sie den richtigen Öl geben Sie auf die Klingen.

Wenn die Klingen ausgerichtet sind, haben die Haarschneidemaschine abet, müssen Sie den richtigen Öl geben Sie auf die Klingen. Wenn die Klingen ausgerichtet sind, haben die Haarschneidemaschine abet, müssen Sie den richtigen Öl geben Sie auf die Klingen.

Wenn die Klingen ausgerichtet sind, haben die Haarschneidemaschine abet, müssen Sie den richtigen Öl geben Sie auf die Klingen. Wenn die Klingen ausgerichtet sind, haben die Haarschneidemaschine abet, müssen Sie den richtigen Öl geben Sie auf die Klingen.

Wenn die Klingen ausgerichtet sind, haben die Haarschneidemaschine abet, müssen Sie den richtigen Öl geben Sie auf die Klingen. Wenn die Klingen ausgerichtet sind, haben die Haarschneidemaschine abet, müssen Sie den richtigen Öl geben Sie auf die Klingen.

Wenn die Klingen ausgerichtet sind, haben die Haarschneidemaschine abet, müssen Sie den richtigen Öl geben Sie auf die Klingen. Wenn die Klingen ausgerichtet sind, haben die Haarschneidemaschine abet, müssen Sie den richtigen Öl geben Sie auf die Klingen.

Wenn die Klingen ausgerichtet sind, haben die Haarschneidemaschine abet, müssen Sie den richtigen Öl geben Sie auf die Klingen. Wenn die Klingen ausgerichtet sind, haben die Haarschneidemaschine abet, müssen Sie den richtigen Öl geben Sie auf die Klingen.

Wenn die Klingen ausgerichtet sind, haben die Haarschneidemaschine abet, müssen Sie den richtigen Öl geben Sie auf die Klingen. Wenn die Klingen ausgerichtet sind, haben die Haarschneidemaschine abet, müssen Sie den richtigen Öl geben Sie auf die Klingen.

Wenn die Klingen ausgerichtet sind, haben die Haarschneidemaschine abet, müssen Sie den richtigen Öl geben Sie auf die Klingen. Wenn die Klingen ausgerichtet sind, haben die Haarschneidemaschine abet, müssen Sie den richtigen Öl geben Sie auf die Klingen.

Wenn die Klingen ausgerichtet sind, haben die Haarschneidemaschine abet, müssen Sie den richtigen Öl geben Sie auf die Klingen. Wenn die Klingen ausgerichtet sind, haben die Haarschneidemaschine abet, müssen Sie den richtigen Öl geben Sie auf die Klingen.

Wenn die Klingen ausgerichtet sind, haben die Haarschneidemaschine abet, müssen Sie den richtigen Öl geben Sie auf die Klingen. Wenn die Klingen ausgerichtet sind, haben die Haarschneidemaschine abet, müssen Sie den richtigen Öl geben Sie auf die Klingen.

Wenn die Klingen ausgerichtet sind, haben die Haarschneidemaschine abet, müssen Sie den richtigen Öl geben Sie auf die Klingen. Wenn die Klingen ausgerichtet sind, haben die Haarschneidemaschine abet, müssen Sie den richtigen Öl geben Sie auf die Klingen.

Wenn die Klingen ausgerichtet sind, haben die Haarschneidemaschine abet, müssen Sie den richtigen Öl geben Sie auf die Klingen. Wenn die Klingen ausgerichtet sind, haben die Haarschneidemaschine abet, müssen Sie den richtigen Öl geben Sie auf die Klingen.

Wenn die Klingen ausgerichtet sind, haben die Haarschneidemaschine abet, müssen Sie den richtigen Öl geben Sie auf die Klingen. Wenn die Klingen ausgerichtet sind, haben die Haarschneidemaschine abet, müssen Sie den richtigen Öl geben Sie auf die Klingen.

Wenn die Klingen ausgerichtet sind, haben die Haarschneidemaschine abet, müssen Sie den richtigen Öl geben Sie auf die Klingen. Wenn die Klingen ausgerichtet sind, haben die Haarschneidemaschine abet, müssen Sie den richtigen Öl geben Sie auf die Klingen.

Wenn die Klingen ausgerichtet sind, haben die Haarschneidemaschine abet, müssen Sie den richtigen Öl geben Sie auf die Klingen. Wenn die Klingen ausgerichtet sind, haben die Haarschneidemaschine abet, müssen Sie den richtigen Öl geben Sie auf die Klingen.

Wenn die Klingen ausgerichtet sind, haben die Haarschneidemaschine abet, müssen Sie den richtigen Öl geben Sie auf die Klingen. Wenn die Klingen ausgerichtet sind, haben die Haarschneidemaschine abet, müssen Sie den richtigen Öl geben Sie auf die Klingen.

Wenn die Klingen ausgerichtet sind, haben die Haarschneidemaschine abet, müssen Sie den richtigen Öl geben Sie auf die Klingen. Wenn die Klingen ausgerichtet sind, haben die Haarschneidemaschine abet, müssen Sie den richtigen Öl geben Sie auf die Klingen.

Wenn die Klingen ausgerichtet sind, haben die Haarschneidemaschine abet, müssen Sie den richtigen Öl geben Sie auf die Klingen. Wenn die Klingen ausgerichtet sind, haben die Haarschneidemaschine abet, müssen Sie den richtigen Öl geben Sie auf die Klingen.

Wenn die Klingen ausgerichtet sind, haben die Haarschneidemaschine abet, müssen Sie den richtigen Öl geben Sie auf die Klingen. Wenn die Klingen ausgerichtet sind, haben die Haarschneidemaschine abet, müssen Sie den richtigen Öl geben Sie auf die Klingen.

Wenn die Klingen ausgerichtet sind, haben die Haarschneidemaschine abet, müssen Sie den richtigen Öl geben Sie auf die Klingen. Wenn die Klingen ausgerichtet sind, haben die Haarschneidemaschine abet, müssen Sie den richtigen Öl geben Sie auf die Klingen.

Wenn die Klingen ausgerichtet sind, haben die Haarschneidemaschine abet, müssen Sie den richtigen Öl geben Sie auf die Klingen. Wenn die Klingen ausgerichtet sind, haben die Haarschneidemaschine abet, müssen Sie den richtigen Öl geben Sie auf die Klingen.

Wenn die Klingen ausgerichtet sind, haben die Haarschneidemaschine abet, müssen Sie den richtigen Öl geben Sie auf die Klingen. Wenn die Klingen ausgerichtet sind, haben die Haarschneidemaschine abet, müssen Sie den richtigen Öl geben Sie auf die Klingen.

Wenn die Klingen ausgerichtet sind, haben die Haarschneidemaschine abet, müssen Sie den richtigen Öl geben Sie auf die Klingen. Wenn die Klingen ausgerichtet sind, haben die Haarschneidemaschine abet, müssen Sie den richtigen Öl geben Sie auf die Klingen.

Wenn die Klingen ausgerichtet sind, haben die Haarschneidemaschine abet, müssen Sie den richtigen Öl geben Sie auf die Klingen. Wenn die Klingen ausgerichtet sind, haben die Haarschneidemaschine abet, müssen Sie den richtigen Öl geben Sie auf die Klingen.

Wenn die Klingen ausgerichtet sind, haben die Haarschneidemaschine abet, müssen Sie den richtigen Öl geben Sie auf die Klingen. Wenn die Klingen ausgerichtet sind, haben die Haarschneidemaschine abet, müssen Sie den richtigen Öl geben Sie auf die Klingen.

Wenn die Klingen ausgerichtet sind, haben die Haarschneidemaschine abet, müssen Sie den richtigen Öl geben Sie auf die Klingen. Wenn die Klingen ausgerichtet sind, haben die Haarschneidemaschine abet, müssen Sie den richtigen Öl geben Sie auf die Klingen.

Wenn die Klingen ausgerichtet sind, haben die Haarschneidemaschine abet, müssen Sie den richtigen Öl geben Sie auf die Klingen. Wenn die Klingen ausgerichtet sind, haben die Haarschneidemaschine abet, müssen Sie den richtigen Öl geben Sie auf die Klingen.

Wenn die Klingen ausgerichtet sind, haben die Haarschneidemaschine abet, müssen Sie den richtigen Öl geben Sie auf die Klingen. Wenn die Klingen ausgerichtet sind, haben die Haarschneidemaschine abet, müssen Sie den richtigen Öl geben Sie auf die Klingen.

Wenn die Klingen ausgerichtet sind, haben die Haarschneidemaschine abet, müssen Sie den richtigen Öl geben Sie auf die Klingen. Wenn die Klingen ausgerichtet sind, haben die Haarschneidemaschine abet, müssen Sie den richtigen Öl geben Sie auf die Klingen.

Wenn die Klingen ausgerichtet sind, haben die Haarschneidemaschine abet, müssen Sie den richtigen Öl geben Sie auf die Klingen. Wenn die Klingen ausgerichtet sind, haben die Haarschneidemaschine abet, müssen Sie den richtigen Öl geben Sie auf die Klingen.

Wenn die Klingen ausgerichtet sind, haben die Haarschneidemaschine abet, müssen Sie den richtigen Öl geben Sie auf die Klingen. Wenn die Klingen ausgerichtet sind, haben die Haarschneidemaschine abet, müssen Sie den richtigen Öl geben Sie auf die Klingen.

Wenn die Klingen ausgerichtet sind, haben die Haarschneidemaschine abet, müssen Sie den richtigen Öl geben Sie auf die Klingen. Wenn die Klingen ausgerichtet sind, haben die Haarschneidemaschine abet, müssen Sie den richtigen Öl geben Sie auf die Klingen.

Wenn die Klingen ausgerichtet sind, haben die Haarschneidemaschine abet, müssen Sie den richtigen Öl geben Sie auf die Klingen. Wenn die Klingen ausgerichtet sind, haben die Haarschneidemaschine abet, müssen Sie den richtigen Öl geben Sie auf die Klingen.

Wenn die Klingen ausgerichtet sind, haben die Haarschneidemaschine abet, müssen Sie den richtigen Öl geben Sie auf die Klingen. Wenn die Klingen ausgerichtet sind, haben die Haarschneidemaschine abet, müssen Sie den richtigen Öl geben Sie auf die Klingen.

Wenn die Klingen ausgerichtet sind, haben die Haarschneidemaschine abet, müssen Sie den richtigen Öl geben Sie auf die Klingen. Wenn die Klingen ausgerichtet sind, haben die Haarschneidemaschine abet, müssen Sie den richtigen Öl geben Sie auf die Klingen.

Wenn die Klingen ausgerichtet sind, haben die Haarschneidemaschine abet, müssen Sie den richtigen Öl geben Sie auf die Klingen. Wenn die Klingen ausgerichtet sind, haben die Haarschneidemaschine abet, müssen Sie den richtigen Öl geben Sie auf die Klingen.

